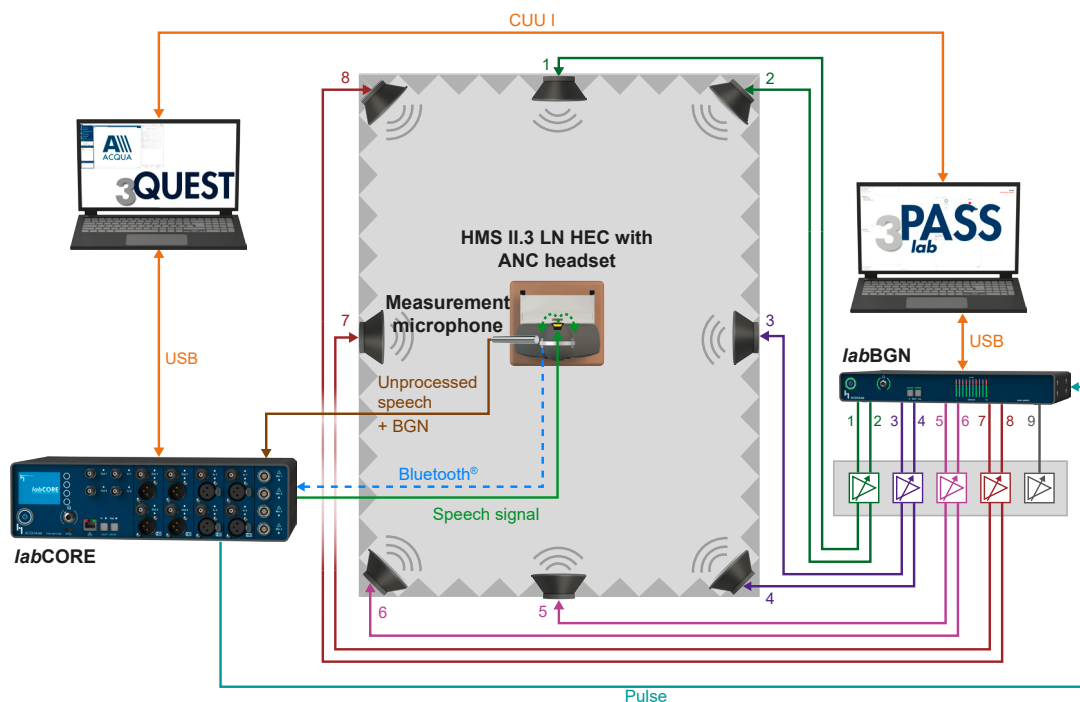


ACOPT 21

Option 3QUEST – 3-fold Quality Evaluation of Speech in Telecommunication (Narrowband/Wideband)

Code 6844

3QUEST (3-fold QUality Evaluation of Speech in Telecommunications) is a standardized calculation method applied in ACQUA. It allows the instrumental evaluation of speech signal processing in the presence of background noise by telecommunication terminals with noise-suppression technology. ACOPT 21 covers narrowband and wideband scenarios and implements the standardized methods of ETSI EG 202 396-3 and ETSI TS 103 106.



3QUEST

OVERVIEW

KEY FEATURES

- › Clear and comprehensible results
- › Automated calculation
- › Standardized in ETSI EG 202 396-3 and ETSI TS 103 106

APPLICATION

Performance evaluation of speech signal processing affected by background noise

REQUIREMENTS

Software

One of the following ACQUA versions:

ACQUA (Code 6810)

- › Advanced Communication Quality Analysis Software, Full-license Version

ACQUA Compact (Code 6860)

- › Compact Test System

One of the following background noise simulation applications:

3PASS *lab* (Code 6990)

- › Advanced background noise simulation system with automated equalization - *lab* version

3PASS *flex* (Code 6995)

- › Advanced background noise simulation system with automated equalization - *flex* version

HAE-BGN (Code 6971)

- › Basic background noise simulation system for labs with semi-automated equalization

HAE-car (Code 6970)

- › Basic background noise simulation system for car cabins with semi-automated equalization

Hardware

Depending on the application case.

DETAILS

Description

The 3QUEST algorithm calculates three MOS values (Mean Opinion Scores) on a scale of 1 to 5 according to Recommendation ITU-T P.835:

- › S-MOS = Speech MOS, evaluates distortion of speech
- › N-MOS = Noise MOS, evaluates noticeable intrusiveness of the background noise
- › G-MOS = Global MOS, overall quality evaluation

3QUEST applies three input signals (clean speech, unprocessed speech, processed speech) to calculate the MOS values. That provides a meaningful statement regarding the causes of signal degradation. The respective data basis for all 3QUEST methods are based on numerous listening tests with auditory evaluation according to Recommendation ITU-T P.835.

Options

ACOPT 31 (Code 6858)

- › Option ACQUA Batch Processing

SCOPE OF DELIVERY

ACOPT 21, 3QUEST (Code 6844)

- › as V2C file for ACQUA dongle

The Bluetooth® word mark and logos are registered trademarks owned by Bluetooth SIG, Inc. and any use of such marks by HEAD acoustics GmbH is under license. Other trademarks and trade names are those of their respective owners.

Contact Information

Ebertstraße 30a

52134 Herzogenrath, Germany

Phone: +49 (0) 2407 577-0

E-Mail: sales@head-acoustics.com

Website: www.head-acoustics.com